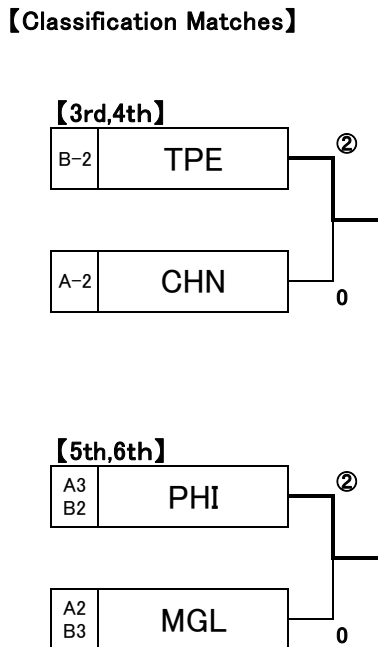
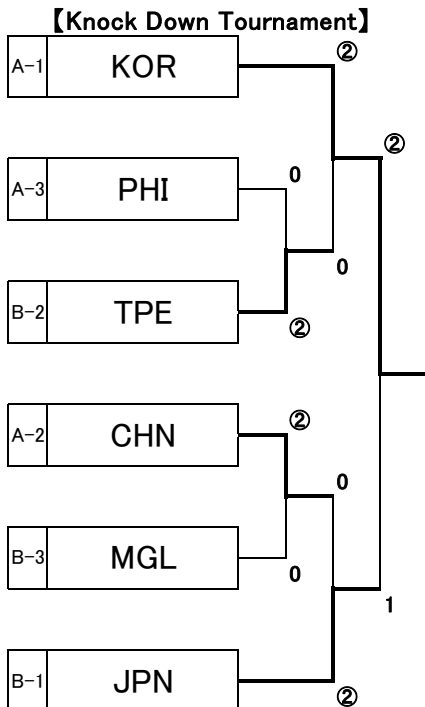


TEAM COMPETITIONS
WOMEN'S TEAM

| A | | 1 | | 2 | | 3 | | NW | DWLM | DWLG | RANK | |
|---|-----|-----|--|-----|-------------------------|-----|-------------------------|-------------------------|------|------|------|---|
| | | KOR | | PHI | | CHN | | | | | | |
| 1 | KOR | / | | ③ | ⑤ - 1 ④ - 0 ⑤ - R | ② | ⑤ - 0 3 - ④ ⑤ - 0 | 2/2 | | | 1 | |
| 2 | PHI | | | 0 | 1 - ⑤ 0 - ④ R - ⑤ | | 0 | 1 - ⑤ 0 - ④ R - ⑤ | 0/2 | | | 3 |
| 3 | CHN | | | 1 | 0 - ⑤ ④ - 3 0 - ⑤ | ③ | ⑤ - 1 ④ - 0 ⑤ - R | | 1/2 | | | 2 |

| B | | 1 | | 2 | | 3 | | NW | DWLM | DWLG | RANK | |
|---|-----|-----|--|-----|-------------------------|-----|-------------------------|-------------------------|------|------|------|---|
| | | JPN | | MGL | | TPE | | | | | | |
| 1 | JPN | / | | ③ | ⑤ - 1 ④ - 0 ⑤ - R | ② | ⑤ - 1 ④ - 1 3 - ⑤ | 2/2 | | | 1 | |
| 2 | MGL | | | 0 | 1 - ⑤ 0 - ④ R - ⑤ | | 0 | 0 - ⑤ 0 - ④ R - ⑤ | 0/2 | | | 3 |
| 3 | TPE | | | 1 | 1 - ⑤ 1 - ④ ⑤ - 3 | ③ | ⑤ - 0 ④ - 0 ⑤ - R | | 1/2 | | | 2 |



- 1st **KOR**

- 2nd **JPN**

- 3rd **TPE**

- 4th **CHN**

- 5th **PHI**

- 6th **MGL**